

## Stainless Steel Ball Valve – Two-Piece - Spring Lever

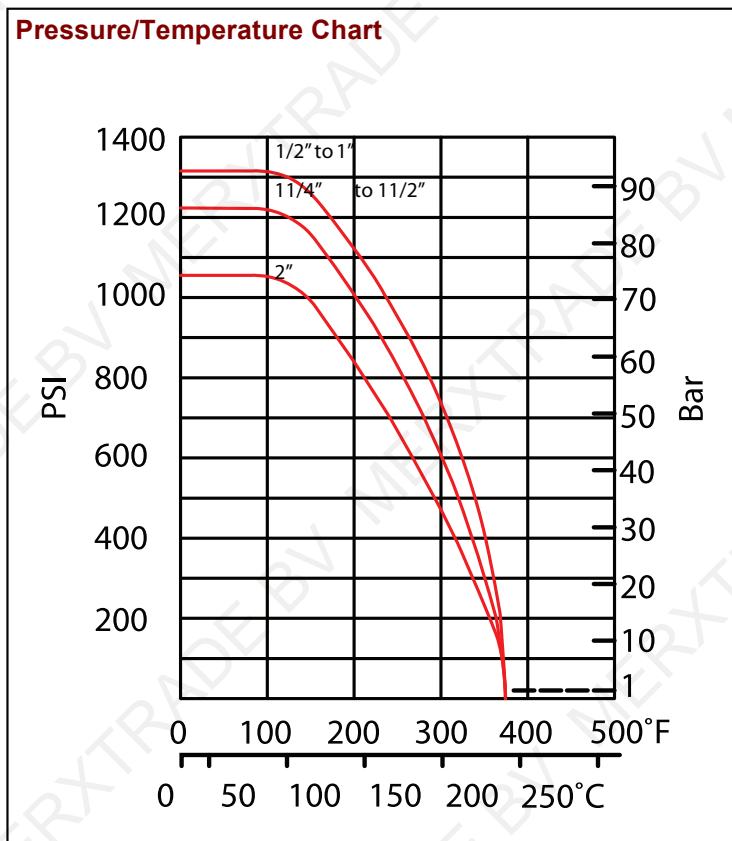
- Screwed BSPP
- Full Bore
- Stainless Steel Body, Ball & Stem
- PTFE Seats & Seals
- Anti Blowout Stem
- Spring Close Lever



### Pressure/Temperature Rating

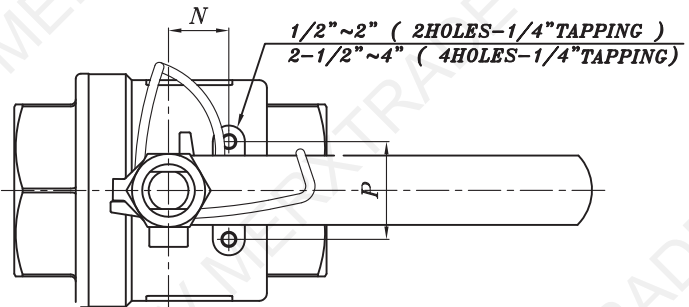
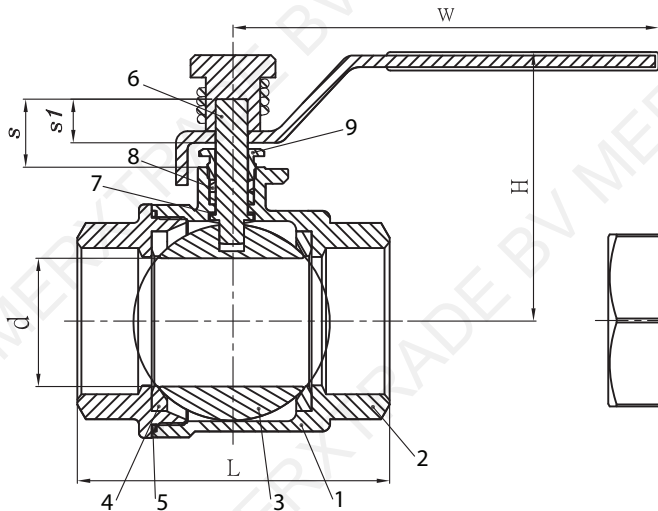
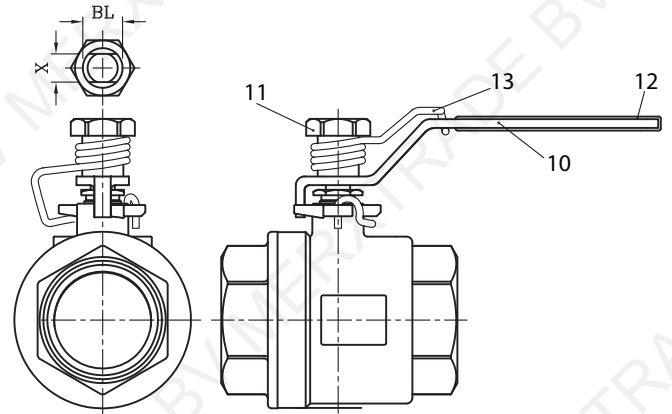
Pressure	PN96 Rated
Temperature	-10°C to 180°C

### Pressure/Temperature Chart



**Materials**

No.	Parts	Materials
1	Body	ASTM-A351-CF8M
2	Cap	ASTM-A351-CF8M
3	Ball	ASTM-A351-CF8M
4	Ball Seat	PTFE
5	Joint Gasket	PTFE
6	Stem	AISI 316
7	Thrust Washer	PTFE
8	Stem Packing	PTFE
9	Gland Nut	AISI 304
10	Handle	AISI 304
11	Stem Nut	AISI 304
12	Plastic Cover	Plastic
13	Spring	AISI 304


**8 ja Ybgjcbg**

Size	d	L	H	W	S	S1	X	N	P	BL	Cv	Torque kgf-cm
1/2"	15	57	53	95	16.8	10.2	5.0	12.5	25	5/16"	11.2	54
3/4"	20	65	59.5	110	21	13.5	6.5	21	24	3/8"	21	74
1"	25	76	73	135	24	16	8	22.5	33.5	7/16"	35	104
1 1/4"	32	87.5	79	135	25	16	8	23.5	38.1	7/16"	57	135
1 1/2"	38	102	90.5	165	26.5	17	9	23.5	38.1	1/2"	80	180
2"	50	123	98.5	165	26.5	17	9	23.5	38.1	1/2"	148	250